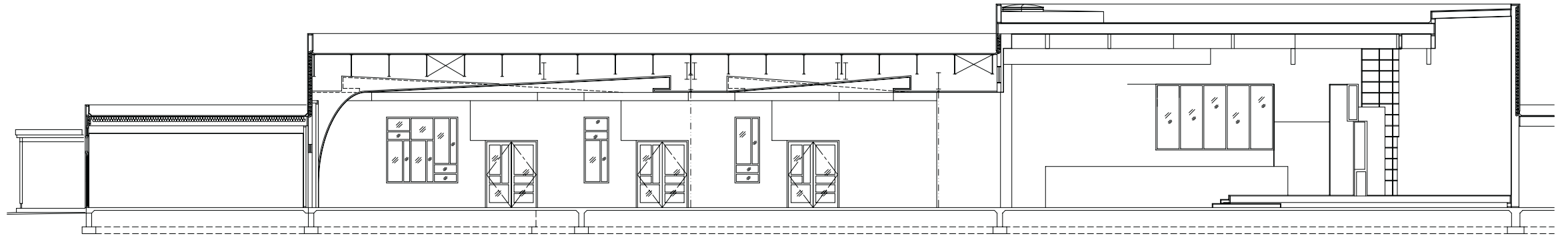
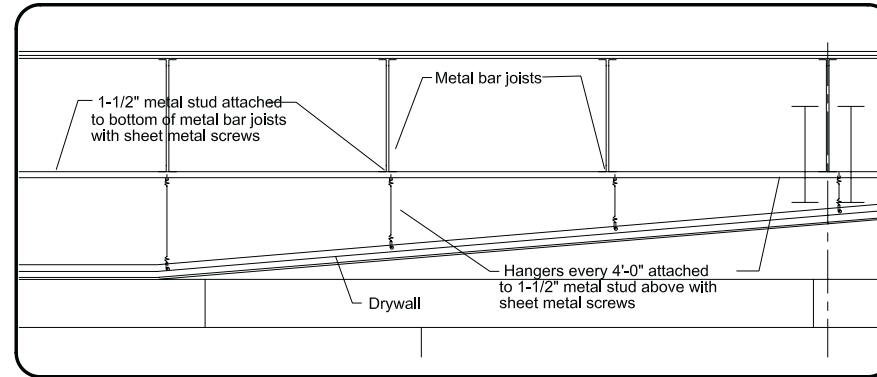
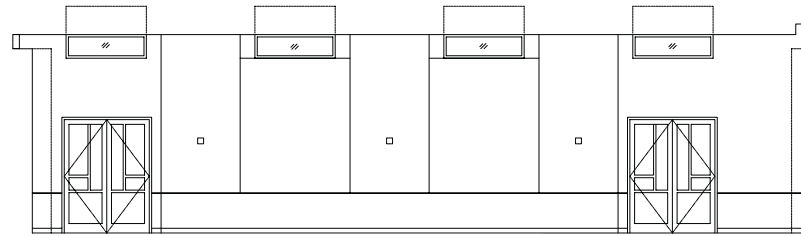
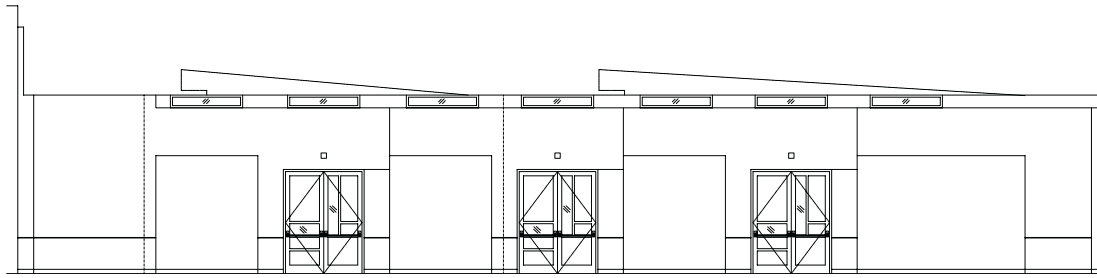


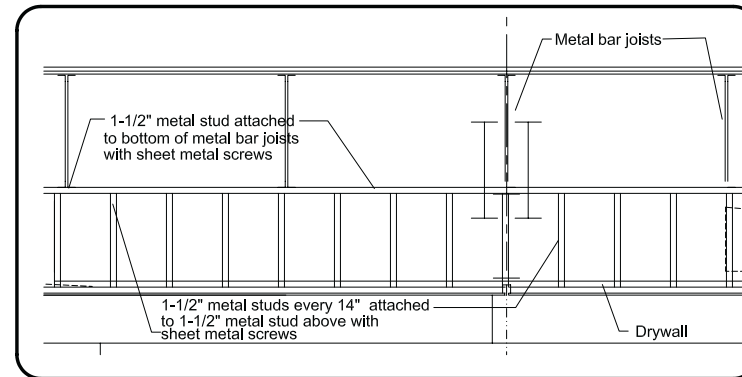
bnai shalom of olney synagogue

- 1 overview (plan + site)
- 2 construction administration (coordination)
- 3 social hall roof framing (schematic model)
- 4 social hall framing (details)
- 5 sanctuary millwork (details + finishes)

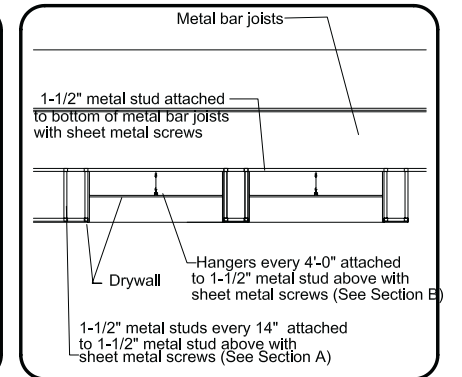




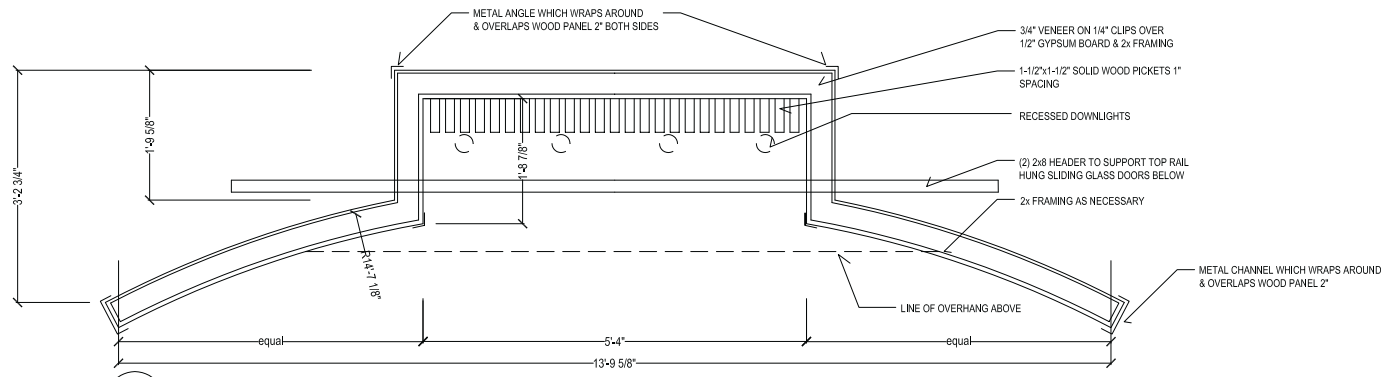
Detail @ Multipurpose/Social Hall Ceiling



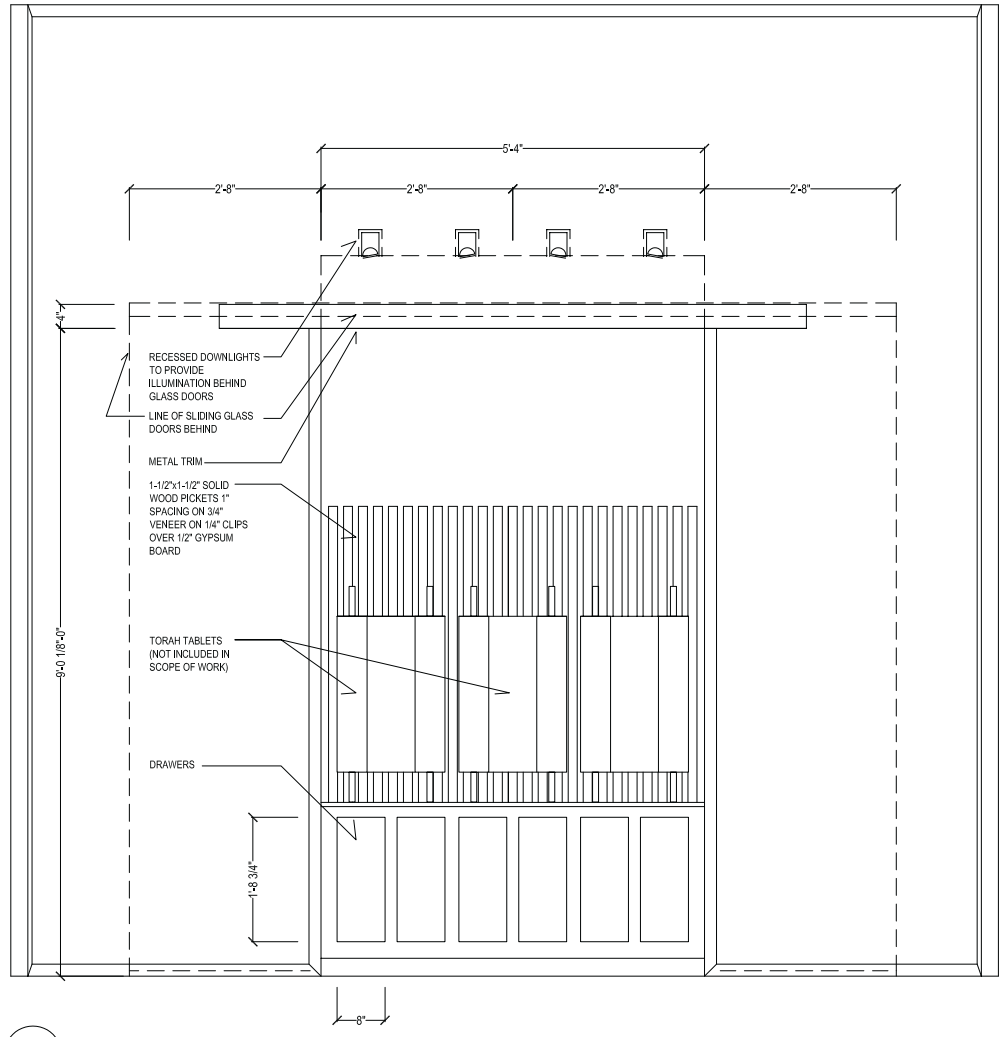
Detail @ Multipurpose/Social Hall Ceiling



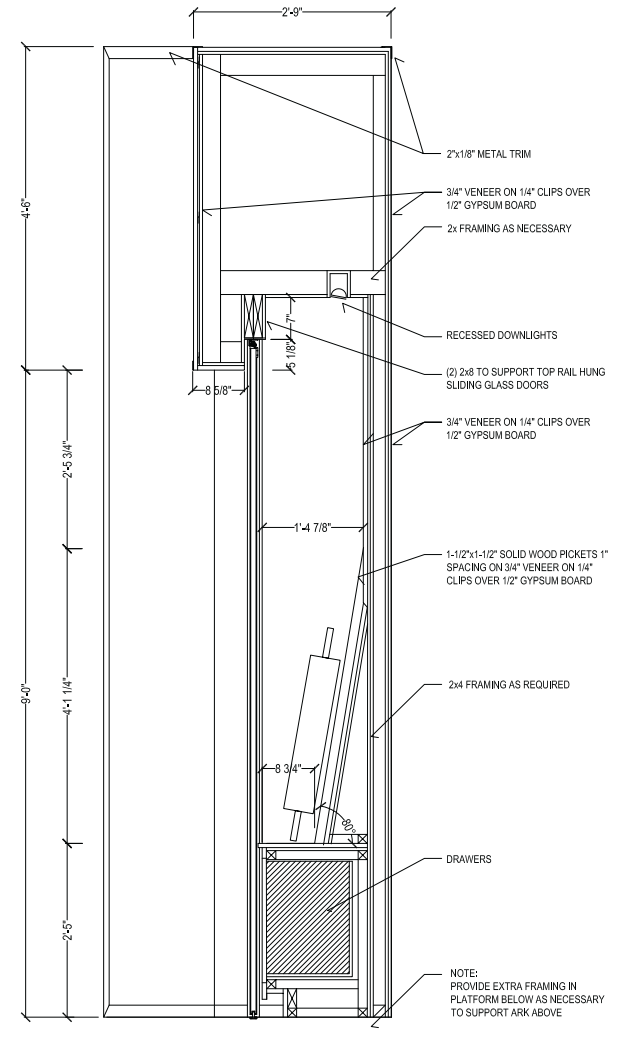
Cross Section @ Multipurpose/Social Hall Ceiling



1 plan of ark
bnai shalom of olney



2 elevation of ark
bnai shalom of olney



3 cross-section of ark
bnai shalom of olney



